



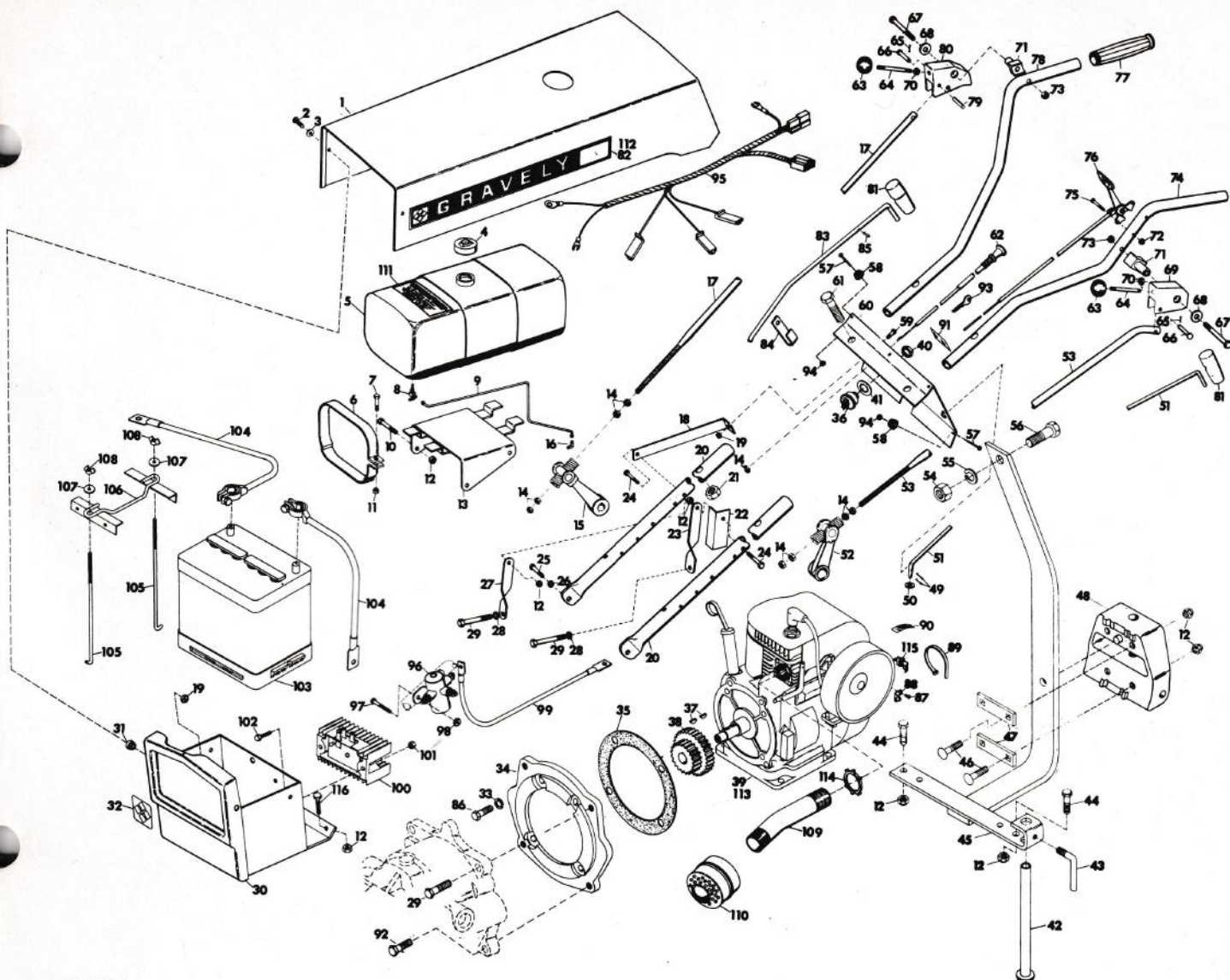
®

GRAVELY

**COMMERCIAL 10A
TRACTOR AND
COMMERCIAL 12
TRACTOR
PARTS LIST**

 **GRAVELY**

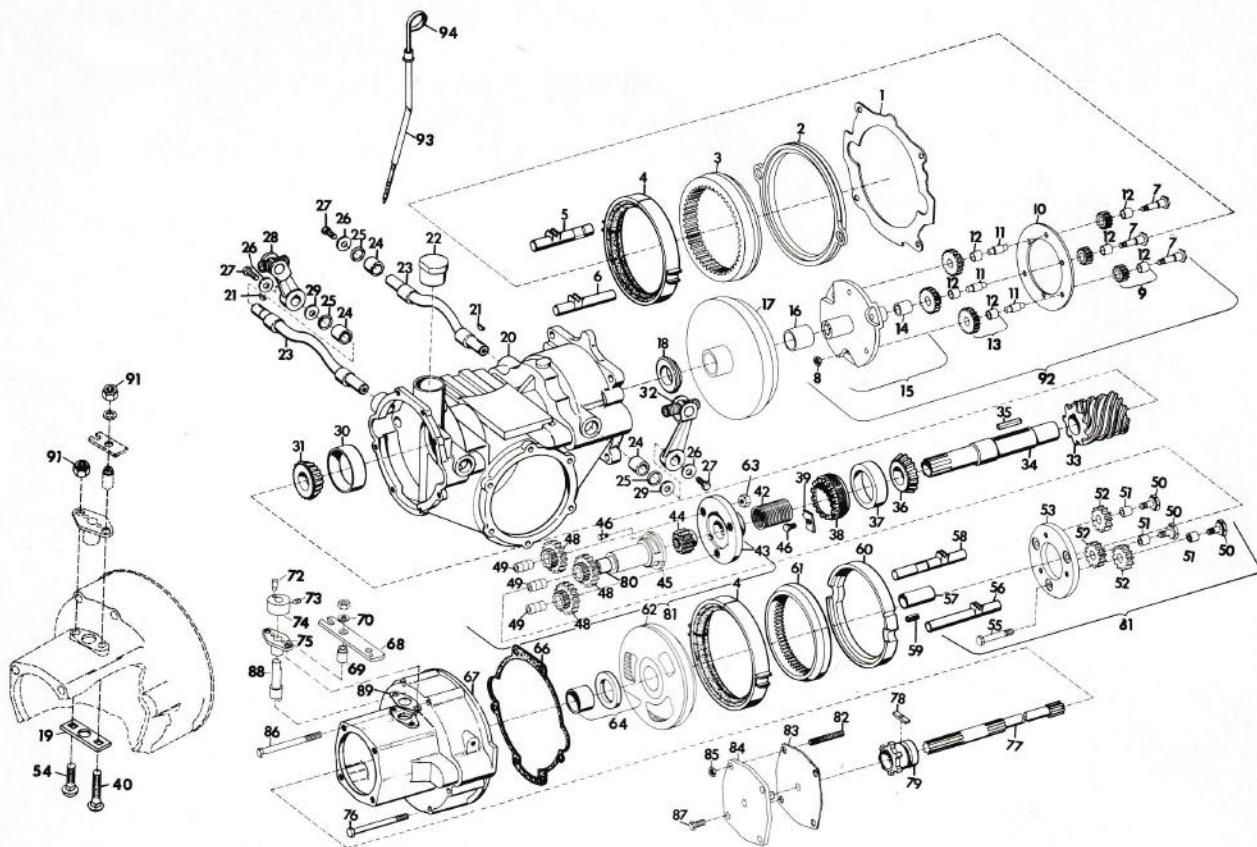
GRAVELY LANE — CLEMMONS — NORTH CAROLINA 27012



ITEM NO.	PART NUMBER	DESCRIPTION
1	10650P2	Hood
2	160556	1/4-20 x 1 Pan Hd Cross Recess Screw
3	120302	9/32 x 5/8 x .065 Flat Washer
4	10756P1	Tank Cap
5	10636P1	Fuel Tank Asm - Comm Walking Tractors
6	10640P1	Fuel Tank Strap
7	180022	1/4-20 x 1 Hex Hd Bolt
8	10642P1	Shut-Off Valve
9	10868P1	Fuel Line Assembly
10	180129	3/8-16 x 1-7/8 Hex Hd Cap Screw
11	9413314	1/4-20 Type CL Hex Lock Nut
12	456004	3/8-16 Washer Insert Lock Nut
13	10637A1	Fuel Tank Bracket Weldment
14	124925	3/8-24 x 7/32 Thk Jam Nut
15	11327A1	Fwd-Rev Act. Shaft Lever Assembly
16	192135	Flared Tube 90° Elbow
17	11986P1	Fwd-Rev Control Rod
18	10996P3	Instrument Panel Brace
19	9419454	1/4-20 Washer Ins. Lock Nut
20	10643P1	Tube Support
21	120371	1/2-20 Hex Nut
22	10933P1	Rod Stop
23	10655P1	Handle Brace

<u>ITEM NO.</u>	<u>PART NUMBER</u>	<u>DESCRIPTION</u>
24	180132	3/8-16 x 2-1/4 Hex Hd Bolt
25	180122	3/8-16 x 1 Hex Hd Bolt
26	120382	3/8 Lock Washer
27	10655P1	Handle Brace
28	131100	7/16 Heavy Spring Lock Washer
29	180149	7/16 x 14 Hex Hd Bolt 1-1/2 Lg
30	10644A4	Grill Weldment
31	12117P1	Hood Pivot
32	10697P1	Commercial Front Decal
33	131099	3/8 Heavy Spring Lock Washer
34	10731P1	Engine Adaptor
35	10732P1	Engine to Adapter Gasket
36	19223A1	Ignition Switch, Indak J463-A
37	124546	#6 Woodruff Key
38	17838P1	Gear
39	19069A1	10 H.P. Kohler Engine-Spec 46665D
40	18585P1	5/8-32 Hex Jam Nut Indak 83033
41	18586P1	5/8 Int Tooth Lock Washer Indak 85019
42	6027A1	Sprayer Tank Stand
43	13457P1	Adjusting Handle
44	180126	3/8-16 x 1-1/2 Hex Hd Bolt
45	11952A1	Rear Hitch Weldment
46	126416	3/8-16 x 1-3/4 Rd Hd Sq Nk Bolt
47	11955P1	Plate
48	11956P1	Hitch Casting
49	121224	3/32 x 1 Cotter Pin
50	120394	13/32 ID x 13/15 OD x .065 Thk Washer
51	10932P1	Attachment Throwout Rod
52	11328A1	Hi Lo Act. Shaft Lever Assembly
53	10733P1	Hi Lo Control Rod
54	124589	5/8-11 Hex Nut
55	121574	5/8 Med Spring Lock Washer
56	271547	5/8-11 x 1-1/2 Hex Hd Bolt
57	436666	6/32 x 5/8 Pan Hd Machine Screw
58	18183P1	Bumper
59	180018	1/4-20 x 5/8 Hex Hd Bolt
60	10653P3	Instrument Panel
61	181705	1/2-20 x 2 Hex Hd Bolt
62	10696P1	Choke Control
63	10670P1	Control Knob
64	10669P1	Shifter Rod
65	177923	1/8 x 3/4 Cotter Pin
66	10672P1	Clevis Pin
67	180192	1/2-13 x 3-1/2 Hex Hd Bolt
68	120396	17/32 x 1-1/16 x .095 Washer
69	10666P1	Hi-Lo Shifter Rod Support
70	272123	7/16-20 Hex Jam Nut
71	10667P1	Handle Lever Pivot
72	190254	10-24 Nut Washer Insert
73	120238	1/2-13 Hex Jam Nut
74	10658P1	Handle Bar, L.H.
75	436738	10-24 x 1-1/2 Pan Hd Machine Screw
76	12360P1	Throttle Control Lever
77	10671P1	Hand Grip
78	11982P1	Right Handle Bar
79	453670	1/4 x 1-1/8 Spring Pin
80	11985P1	Fwd.-Rev. Shifter Rod Support
81	10683P1	Handle

<u>ITEM NO.</u>	<u>PART NO.</u>	<u>DESCRIPTION</u>
82	11904P1	Commercial 10A Decal
83	10677A1	2 Speed Control Rod Weldment
84	10684P1	2 Speed Control Retainer
85	9423664	3/32 x 11/16 Spring Pin
86	180122	3/8-16 x 1 Hex Hd Bolt
87	160515	1/4-20 Pan Hd Cross Rec. Mach. Screw 1/2"
88	18522P1	Bracket
89	10629P1	Cable Tie
90	10862P1	Air Cleaner Instruction Decal
91	11981P1	Decal-Operating Instructions
92	180147	7/16 x 14 Hex Hd Bolt 1-1/4 Lg.
93	18570P1	Ignition Switch Key, Indak
94	134530	6-32 Hex Machine Screw Nut
95	19222P1	Wiring Harness Comm 10A & 12, Bat. Ign.
96	7277P1	Magnetic Switch
97	180042	1/4-20 Hex Hd Bolt 1-3/4
98	120375	1/4-20 Hex Nut
99	6981A2	Mag. Switch to Starter Cable
100	18009P1	Regulator Rectifier
101	120375	1/4-20 Hex Nut
102	180020	1/4-20 x 3/4 Hex Hd Bolt
103	7274E1	12V Battery
104	6980P1	Ground Cable
105	12894P1	Hold Down Bolt
106	10633P1	Battery Hold-Down Clamp
107	446354	5/16 Plain Washer
108	10413P1	Washer Insert Wing Nut 1/4-20
109	10865P1	Muffler Tube, Kohler 236347
110	8227P1	Muffler
111	11989P1	Electrical System Warning Decal
112	12361P1	Commercial 12 Decal
113	19070A1	12 H.P. Kohler Engine, Spec 47459B
114	10866P1	Conduit Nut, 1" Pipe
115	7331P1	Speed Clip
116	180130	3/8-16 Hex Hd Bolt, 2" Lg.



ITEM
NO.

PART NO.

DESCRIPTION

1	10635P1	Gasket
2	11183P1	Rear Spacer
3	11182P1	Rear Ring Gear
4	12644A1	Clutch Cup Assembly
5	11185P1	Clutch Slide Rod, R.H.
6	11184P1	Clutch Slide Rod, L.H.
7	11181P1	Orbit Gear Pin
8	11342P1	5/16-18 Locknut
9	11179A1	Orbit Gear Assembly
10	11178P1	Pin Spacer
11	11174P1	Orbit Gear Pin
12	11177P1	Orbit Gear Bushing
13	11175A1	Orbit Gear Assembly
14	11172P1	Planet Carrier Bushing
15	11171A1	Planet Gear Carrier Assembly
16	11169P1	Ring Gear Bushing
17	11168A1	Ring Gear and Bushing Assembly
18	12645P1	Rear Thrust Plate
19	18704P1	Spacer
20	10628P1	Chassis
21	124545	1/8 x 5/8 Woodruff Key
22	10617P1	Oil Filler Plug
23	10625P1	Actuating Shaft (Rear Clutch)
24	10618P1	Bushing
25	10663P1	"O" Ring

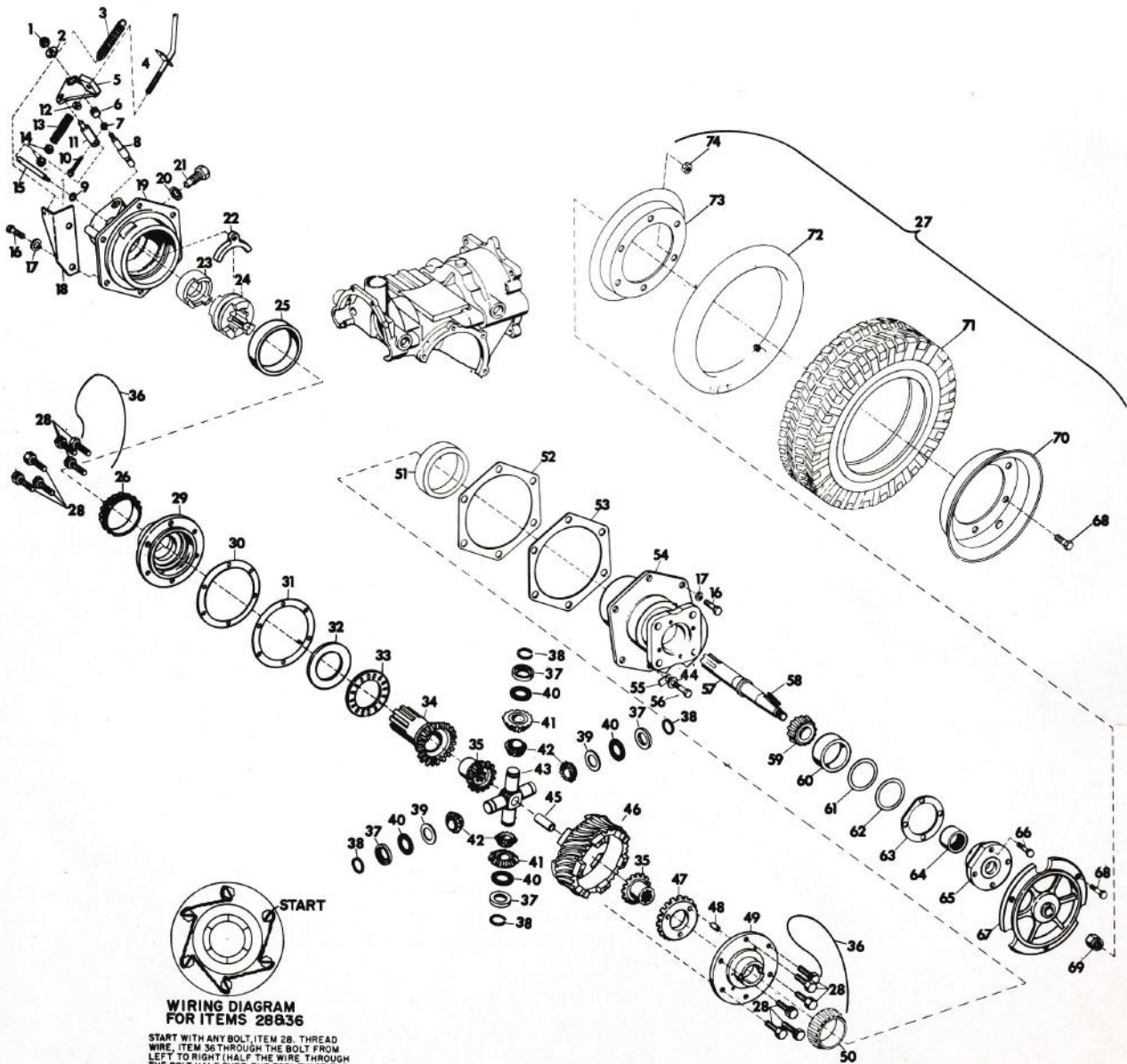
<u>ITEM NO.</u>	<u>PART NO.</u>	<u>DESCRIPTION</u>
26	12694P1	Washer
27	180016	1/4-20 x 1/2 Hex Hd Bolt
28	11327A1	Fwd.-Rev. Actuating Shaft Lever Assembly
29	131017	13/16 x 1-15/32 x .134 Flat Washer
30	10390P1	Roller Bearing Cup
31	10389P1	Roller Bearing Cone
32	11328A1	Hi-Lo Actuating Shaft Lever Assembly
33	13496P1	Worm 8 Lead
34	12647P1	Worm Shaft
35	12668P1	Worm Key
36	12332P1	Roller Bearing Cone
37	12333P1	Roller Bearing Cup
38	12635P1	Bearing Adjusting Nut
39	12648P1	Adjusting Nutlock
40	18772P1	5/16-18 x 2-1/4 Carriage Bolt
42	12663P1	Spring Pin Plate Spacer
43	12633P2	Front Pin Plate
44	12637P1	Sun Pinion
45	14923A1	Quill Bush. Assembly
46	180018	1/4-20 x 5/8 Hex Hd Bolt
48	12639P1	Orbit Gear
49	12640P1	Orbit Gear Pin
50	12658P1	Reverse Idler Bolt
51	12657P1	Reverse Idler Bushing
52	12656P1	Reverse Idler
53	12655P1	Front Pin Spacer
54	18705P1	5/16-18 x 1-5/8 Carriage Bolt
55	12643P1	Spacer Bolt, R.H.
56	12677P1	Clutch Slide Rod, L.H.
57	12662P1	Pinion Shaft Bearing
58	12678P1	Clutch Slide Rod, R.H.
59	13456P1	Roller Pin
60	12636P1	Gear Cup
61	12632P1	Internal Gear
62	12654P1	Reverse Gear Cone
63	120375	1/4-20 Hex Nut
64	14921A1	Thrust Bushing Assembly
66	12591P1	Chassis Front Gasket
67	14920A1	Advance Casting Assembly
68	12122P1	Shifter Arm
69	12123P1	Spacer
70	120393	11/32 x 11/16 x .065 Washer
72	12320P1	Shifter Body Dowel
73	102591	3/8-16 x 1/4 Allen Set Screw
74	10688P2	Shipper Shaft Body
75	10687P2	Shipper Shaft Guide
76	180735	5/16-18 x 3-1/4 Hex Hd Bolt
77	11298P1	Pinion Shaft
78	12601P1	Trunnion Block
79	12660P1	Attachment Dog
80	12662P1	Pinion Shaft Bearing
81	14922A1	Fwd.-Rev. Planetary Assembly
82	12110P1	Stud
83	12603P1	Attachment Boss Cover Gasket
84	14908A1	Attachment Boss Cover
85	120238	1/2-13 Hex Jam Nut
86	187147	5/16-18 x 3-1/2 Hex Hd Bolt
87	180175	1/2-13 x 1-1/4 Hex Hd Bolt

ITEM NO.

PART NO.

DESCRIPTION

88	10686P1	Shipper Shaft
89	18318P1	Gasket
91	9419455	5/16-18 Washer Insert Locknut
92	14615A1	Hi-Lo Planetary Assembly
93	10622A1	Dipstick Assembly
94	10586P1	Dipstick Guide

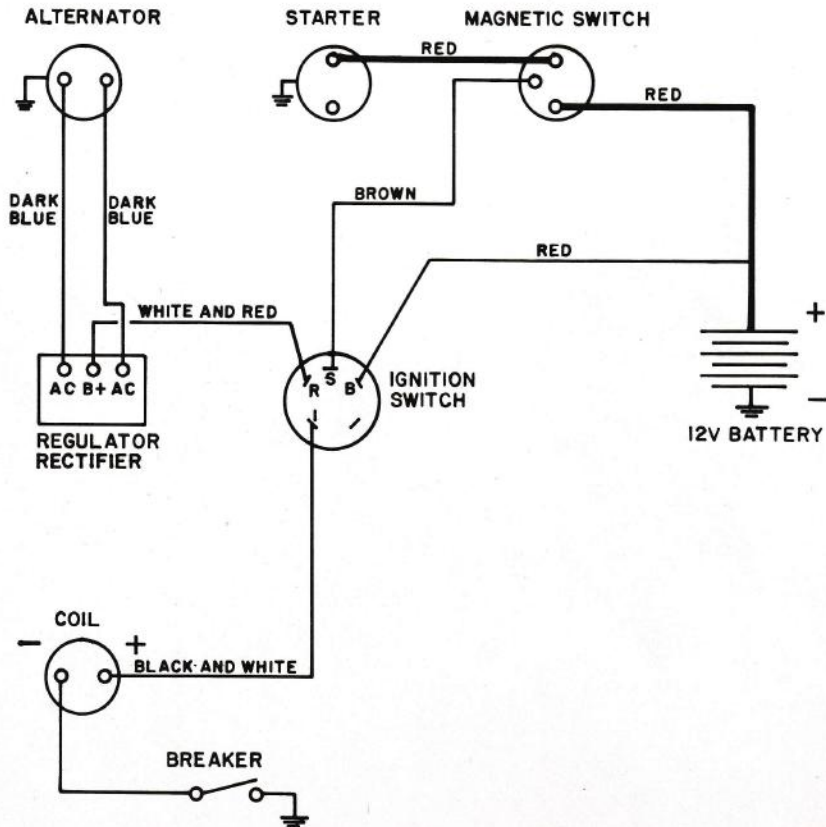


START WITH ANY BOLT, ITEM 28. THREAD WIRE, ITEM 36 THROUGH THE BOLT FROM LEFT TO RIGHT (HALF THE WIRE THROUGH THE BOLT, HALF OVER THE TOP). TWIST THE WIRE CLOCKWISE. PROCEED IN CLOCKWISE DIRECTION TO NEXT BOLT AND REPEAT PROCEDURE.

<u>ITEM NO.</u>	<u>PART NO.</u>	<u>DESCRIPTION</u>
1	9419455	5/16-18 Washer Insert Locknut
2	120393	11/32 x 11/16 x .065 Washer
3	10681P1	Extension Spring
4	10677A1	2-Speed Control Rod Weldment
5	6723A1	Shifter Arm
6	6724P2	Pivot Bushing
7	9413314	1/4-20 Hex Locknut
8	10505P1	Stationary Pivot
9	6732P1	"O" Ring
10	180024	1/4-20 x 1-1/4 Hex Hd Bolt
11	6726P1	Shifter Pin
12	120394	13/32 ID x 13/16 OD x .065 Washer
13	10682P1	2-Speed Compression Spring
14	124925	3/8-24 x 7/32 Jam Nut
15	6721P1	Clutch Sliding Pin
16	180173	1/2-13 x 1 Hex Hd Bolt
17	120384	1/2 Spring Lockwasher
18	10680P1	2-Speed Spring Bracket
19	10381P3	Axle Housing, 2-Speed
20	12707P1	Oil Strainer Nut Washer
21	6734P2	Stationary Clutch Bolt
22	6719P1	Shifting Yoke
23	11156P1	Stationary Clutch
24	11632P1	Shifting Clutch
25	12500P1	Bearing Race
26	12501P1	Bearing Cone
27	19563A1	Tire Wheel Assembly, 18 x 6.50-8
28	18604P1	5/16-18 Special Bolt
29	11148P1	Clutch Housing
30	6739P1	Clutch Housing Worm Gear Shim .005
31	6740P1	Clutch Housing Worm Gear Shim .020
32	6744P1	Race
33	6743P1	Bearing
34	6704P1	Shifting Gear
35	6709P1	Differential Gear
36	18605P1	Wire
37	15734P1	Spacer
38	15733P1	Snap Ring
39	6742P1	Race
40	6741P1	Bearing
41	6702P1	Shifting Train Pinion
42	6708P1	Spider Gear
43	15732P1	Spider Pin
44	120396	17/32 x 1-1/16 x .095 Washer
45	6711P1	Thrust Pin
46	15729P1	8 Start Worm Gear
47	6703P1	Pinned Gear
48	6714P1	Dowel Pin
49	12126P1	Pinned Housing
50	12131P1	Roller Bearing Cone
51	12130P1	Roller Bearing Race
52	12595P1	Axle Housing Shim .005
	12596P1	Axle Housing Shim .020
NS	13423P1	Shim
53	12597P1	Gasket
54	12128P1	Axle Housing
55	12594P1	Oil Drain Washer
56	13624P1	1/2-13 x 1 Hex Hd Bolt

<u>ITEM NO.</u>	<u>PART NO.</u>	<u>DESCRIPTION</u>
57	10377P1	Standard Axle
58	12672P1	Hub Key
59	9246P1	Bearing Cones
60	9245P1	Bearing Race
61	10382P1	Shim .020
62	10383P1	Shim .005
63	10384P1	Gasket
64	12590P1	Oil Seal
65	10379P1	Bearing Cap
66	180077	5/16-18 x 3/4 Hex Hd Bolt
67	12671P1	Wheel Hub
68	9428638	3/8-16 x 5/8 Hex Hd Bolt
69	13412P1	5/8-18 Esna Locknut
70	12673P1	Wheel Disc
71	19562P1	Tire, 18 x 6.50-8
72	11645P1	Tube, 500 x 8
73	12674P1	Inner Wheel Disc
74	124829	3/8-16 Hex Jam Nut
NS	12423P1	Shim
NS	18722A1	8 Start Worm Gear Service Kit
NS	18535E1	Chrome Wheel Covers

**WIRING DIAGRAM FOR COMMERCIAL 10A
AND COMMERCIAL 12 TRACTORS**



FOR MODELS 19213E1 AND 19214E1
FORM NUMBER 19781P1 (8-15-72)

PRINTED IN UNITED STATES OF AMERICA